

THERMOSTATIC MIXING VALVE

MODEL 269-LF

LEAD FREE THERMOSTATIC POINT OF USE MIXING VALVE

ECO-MIX™

MODEL 1/2" inlets, 1/2" outlet, (MIPS connections)

MATERIALS:

- Lead Free Bronze body
- Locked temperature adjustment cap (vandal resistant)
- Copper encapsulated thermostat assembly with polymer thermoplastic shuttle
- Stainless steel springs
- Buna-N: O-rings
- Integral check valves on hot and cold inlets

PRESSURE-TEMPERATURE:

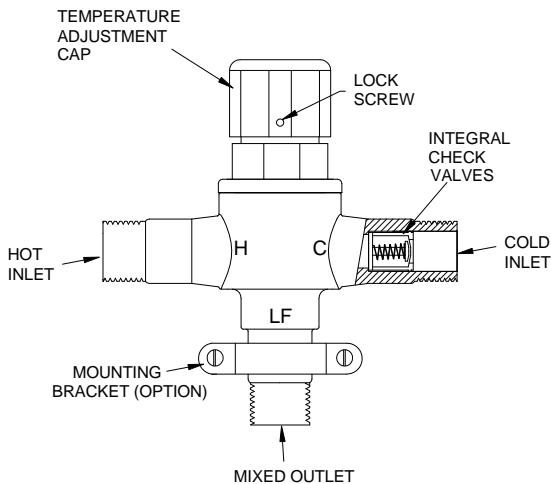
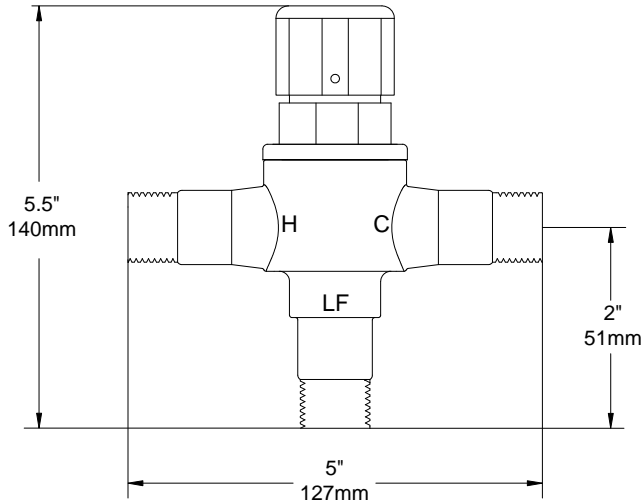
- Minimum Flow: 1.0 GPM (3.8 l/Min)
- Maximum Pressure: 125 PSI (8.6 BAR)
- Maximum Hot Water temperature: 200°F (93°C)
- Approach Temperature 5°F (2.8°C) above set point
- Temperature adjustment range, 90-120°F (32-49°C) **

OPTIONS:

- ___ SUFFIX DT – Dial Thermometer
- ___ SUFFIX BRKT – Mounting Bracket
- ___ SUFFIX BV – Inlet ball valves (shipped loose)
- ___ SUFFIX SW – Sweat connections
- ___ SUFFIX CP – Chrome plated

ASSE 1069 CERTIFIED 

This product is certified to meet Low Lead requirements of wetted surface area containing less than 0.25% lead by weight



WARNING: This product can expose you to chemicals including lead, which is known to the State of California to cause cancer. For more information, go to www.P65Warnings.ca.gov

PRESSURE DROP										
5	10	15	20	25	30	35	40	45	50	PSI
0.3	0.7	1.0	1.4	1.7	2.1	2.4	2.8	3.1	3.4	BAR
3.5	5.3	6.3	7.0	7.8	8.5	9.3	10.0	10.8	11.5	GPM
13.2	20.1	23.8	26.5	29.5	32.2	35.2	37.9	40.9	43.5	L/MIN

Engineer's Approval	Job # _____
	Arch/Eng. _____
	Contractor _____



1360 Elmwood Avenue, Cranston, RI 02910 USA
Phone: 401.461.1200 Fax: 401.941.5310
Email: info@leonardvalve.com
Web Site: <http://www.leonardvalve.com>